

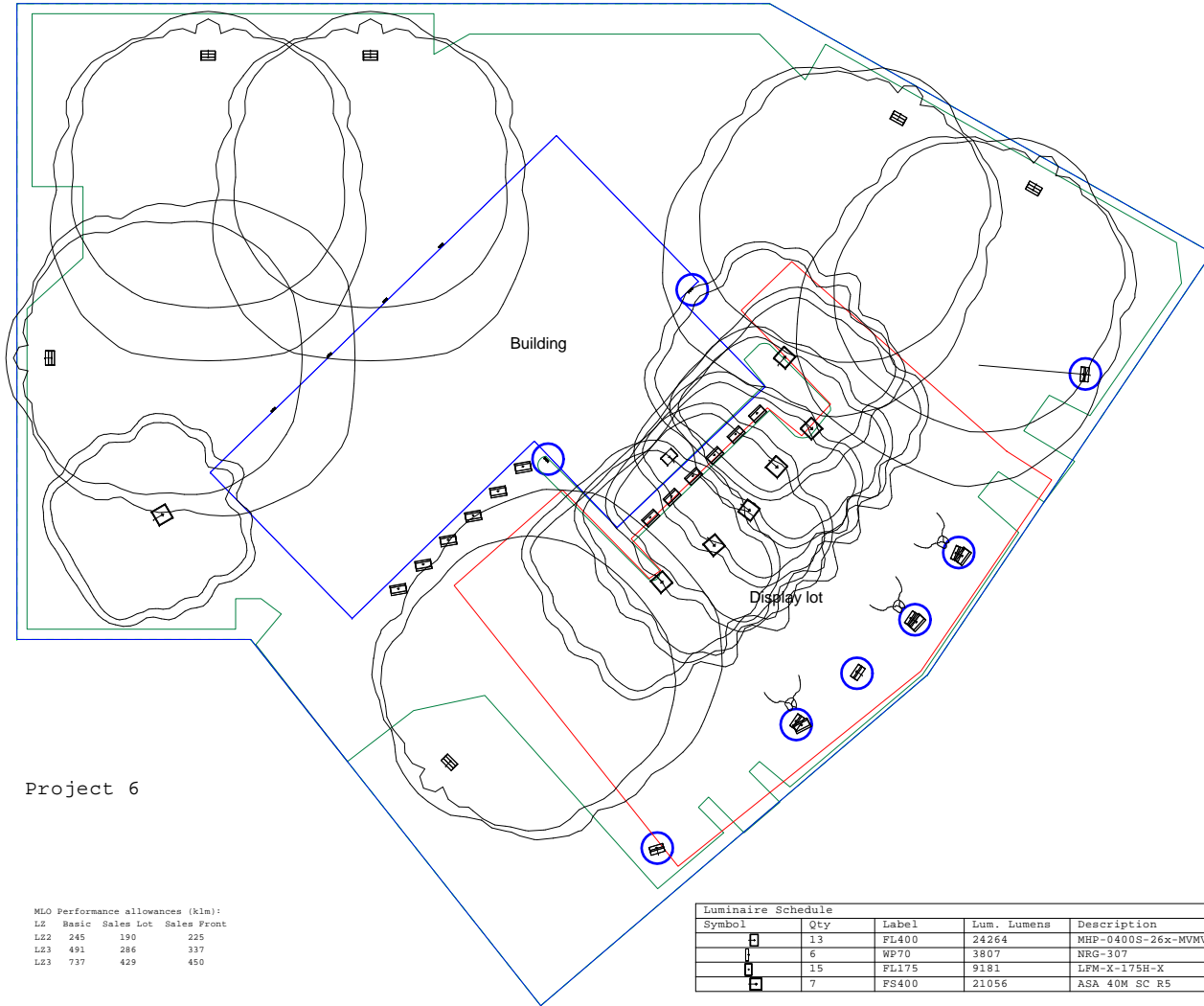
## **Light Pollution and Lighting Codes**

*An Analysis of the Light Pollution Control Effectiveness of the  
IDA-IES Model Lighting Ordinance and the  
IDA Pattern Outdoor Lighting Code*

Christian B. Luginbuhl  
U.S. Naval Observatory Flagstaff Station  
cbl@nofs.navy.mil  
15 January 2013

## **Appendix B**

IDA-IES MLO LZ2 Performance Method Option B compliant lighting plans

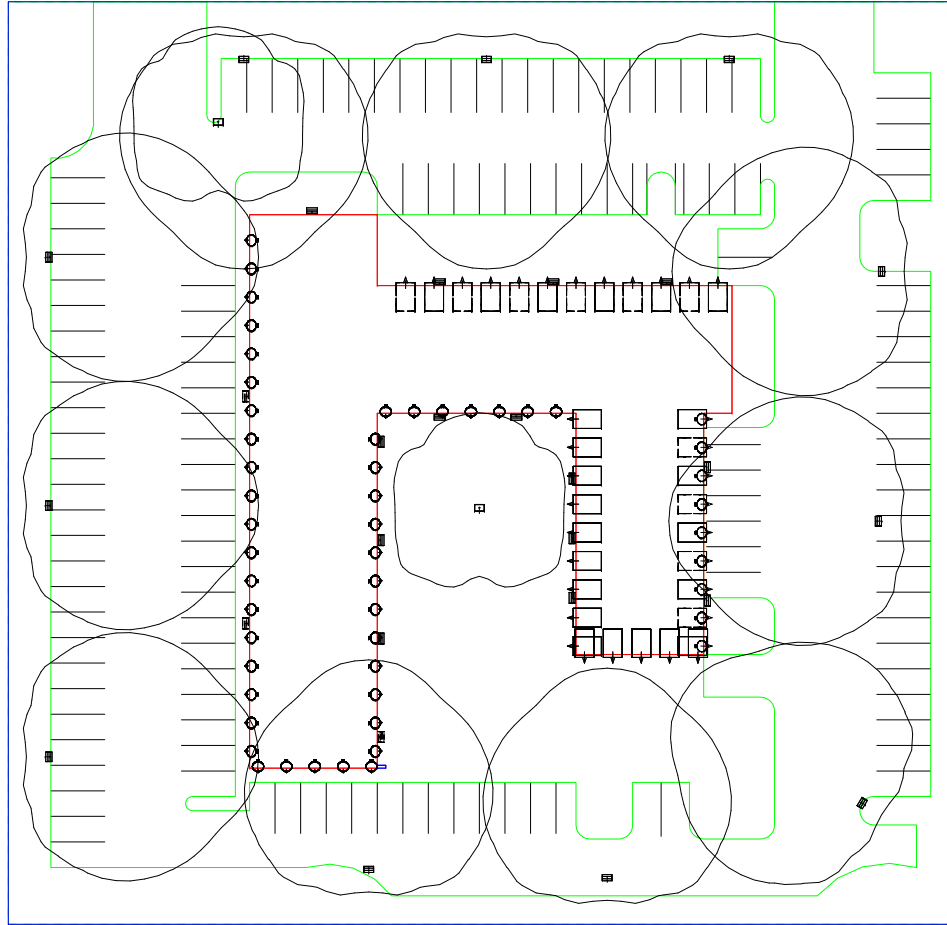


Project 6

MLO Performance allowances (klm):

L2	Basic	Sales Lot	Sales Front
L22	245	190	225
L23	491	286	337
L23	737	429	450

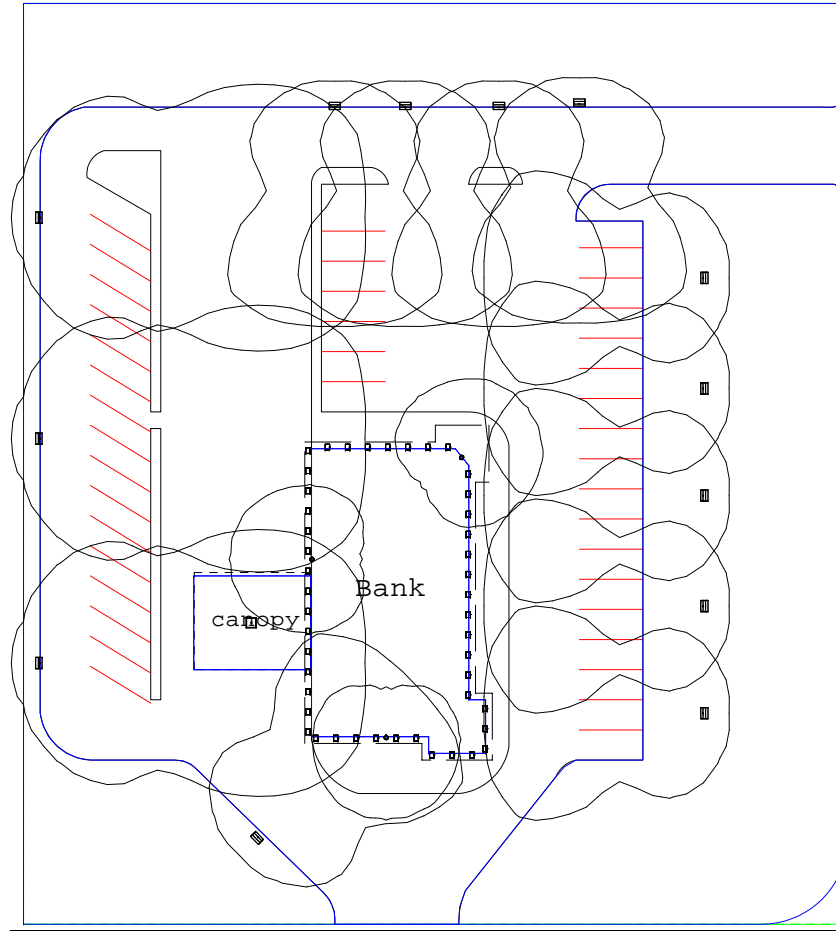
Luminaire Schedule				
Symbol	Qty	Label	Lum. Lumens	Description
□	13	FL400	24264	MHP-0400S-26x-MVMV2
□	6	WP70	3807	NRG-307
□	15	FL175	9181	LFM-X-175H-X
□	7	FS400	21056	ASA 40M SC R5



Project 7

Luminaire Schedule					
Symbol	Qty	Label	Lum. Lumens	Description	Aiming Angle (above nadir)
□	13	FL250	13889	MHP-0250H-23x	50-deg (11); 0-deg (2)
□	17	FL175	9181	LFM-X-175H-X	130-deg
○	95	WP3	487	NRG-128	
□	61	FS1	615	LMC18LU5K BOCLE	

Project 12



LumNo	Label	Tilt
1	FL100	60
2	FL100	60
3	FL100	60
4	FL100	50
5	FL100	50
6	FL100	50
7	FL100	50
8	FL100	50
9	WP1	0
10	WP1	0
11	WP2	0
12	WP2	0
13	WP2	0
14	WP2	0
15	WP2	0
16	WP2	0
17	WP2	0
18	WP2	0
19	WP2	0
20	WP2	0
21	WP2	0
22	WP2	0
23	WP2	0
24	WP2	0
25	WP2	0
26	WP2	0
27	WP2	0
28	WP2	0
29	WP2	0
30	WP2	0
31	WP2	0
32	WP2	0
33	WP2	0
34	WP2	0
35	WP2	0
36	WP2	0
37	WP2	0
38	WP2	0
39	WP2	0
40	WP2	0
41	WP2	0
42	WP2	0
43	WP2	0
44	WP2	0
45	WP2	0
46	WP2	0
47	WP2	0
48	WP2	0
49	WP2	0
50	WP2	0
51	WP2	0
52	WP2	0
53	WP2	0
54	WP2	0
55	WP2	0
56	WP2	0
57	CP1	0
61	FL100	50
63	FL100	50
64	FL100	50
65	FL100	50
66	FL100	50
67	WP1	0

Luminaire Schedule						
Symbol	Qty	Label	Lum. Lumens	Aiming Angle (degrees from nadir)	Description	BUG Rating
	13	FL100	7160		CFS 10S V	N.A.
	3	WP1	2365		NRG-121	B1-U3-G2
	46	WP2	552		LCC 12L	B1-U0-G0
	1	CP1	6095		NK1-CM-P10-V5-F	B3-U0-G1